



INSTALLATION AND MAINTENANCE INSTRUCTIONS

WALDIS SAFES

RESISTANCE LEVEL II / III

AS PER EN1143-1



Thank you

Thank you so much for putting your trust in Waldis for your security needs.

You've chosen to buy an EN1143-1-certified safe. A high-quality Swiss product checked and approved by the VdS.

Please read these instructions carefully before setting up your safe!

For any questions, please contact:

WALDIS Tresore AG

Hofwissenstrasse 20

CH-8153 Rümlang

Tel: +41 43 211 12 00

Fax: +41 43 211 12 12

Email: info@tresore.ch

Contents

1. General information	1
1.1. Safety instructions	1
1.2. Table of weights	1
1.3. Regulations and insurance	2
1.4. operating elements	2
1.5. Set-up	2
2. Installation.....	3
2.1. Positioning against the building wall	3
2.2. Disassembly, interior construction	4
2.3. Anchoring the safe.....	6
2.3.1. Important prior clarification	6
2.3.2. Preparing the safe	6
2.3.3. Table for dimensions, anchoring holes	7
2.3.4. Procedure	8
2.4. Assembly, interior construction	9
2.5. Cable entry / power connection	11
3. Maintenance and care instructions	12
4. Exemption from liability	12
5. Guarantee against theft	13

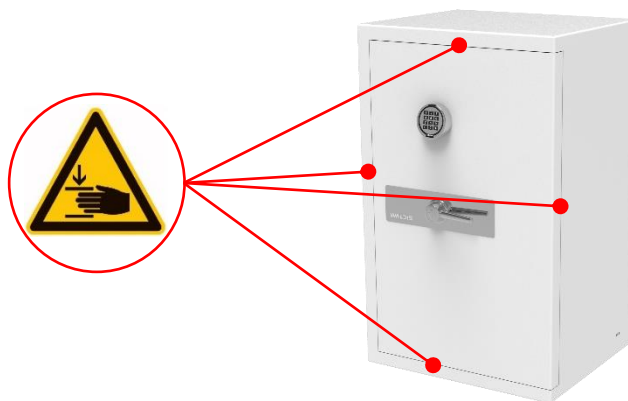
1. General information

Every WALDIS Eco and WALDIS Business safe is equipped with an electronic security lock. To operate the lock, please use the 500.0021 / 500.0022 instruction manuals enclosed. You can find the comprehensive instruction manual, produced by the manufacturer, at: www.carl-wittkopp.com (Primor 1000/3000) or www.dormakaba.com (Axessor).

1.1. Safety instructions



PLEASE NOTE: Please make sure that no body parts get trapped between the doors and the case when opening and closing the doors!



PLEASE NOTE: Before closing the doors, make sure that the handle is in the open position and the bolt is retracted!

1.2. Table of weights

To transport and move the safe, please consult the following table for the weights of the different models:

Model	Weight (kg)
Eco 550	265
Eco 650	300
Business 650	325
Eco 801	360
Business 801	395
Eco 802	430
Business 802	460
Eco 1000	510
Business 1000	550
Eco 1200	590
Business 1200	640
Business 1450	960
Business 1650	1050
Business 1200-XL	1005
Business 1450-XL	1070
Business 1850-XL	1435
Business 1850-XXL	1700

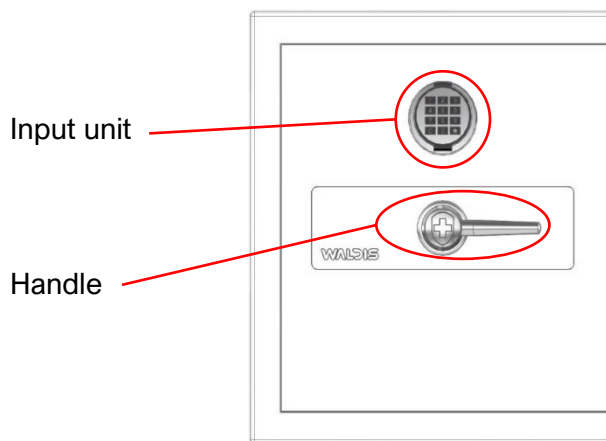
1.3. Regulations and insurance

For all safes with a net weight of less than 1000 kg, professional anchoring either during construction or by the client is a minimum requirement of the EN1143-1 standard. For this reason, all safes are equipped with 8 bore holes (4 on the back wall and 4 on the base) with a diameter of 14.5 mm. If it is not possible to anchor the safe in accordance with current regulations, the property insurance company must be informed and an alternative solution must be found.



PLEASE NOTE: The safe's warranty and certification terminate after attempted break-ins, fires and unauthorised interference with the structure!

1.4. Operating elements



PLEASE NOTE: The following instruction manual explains how to operate a safe with the hinge on the right-hand side of the door! If you have a safe with the hinge on the left-hand side of the door, all rotation, opening and closing movements must go in the opposite direction!

1.5. Set-up

The safe is delivered without a battery inserted as standard, meaning it can be opened and closed without entering a code.

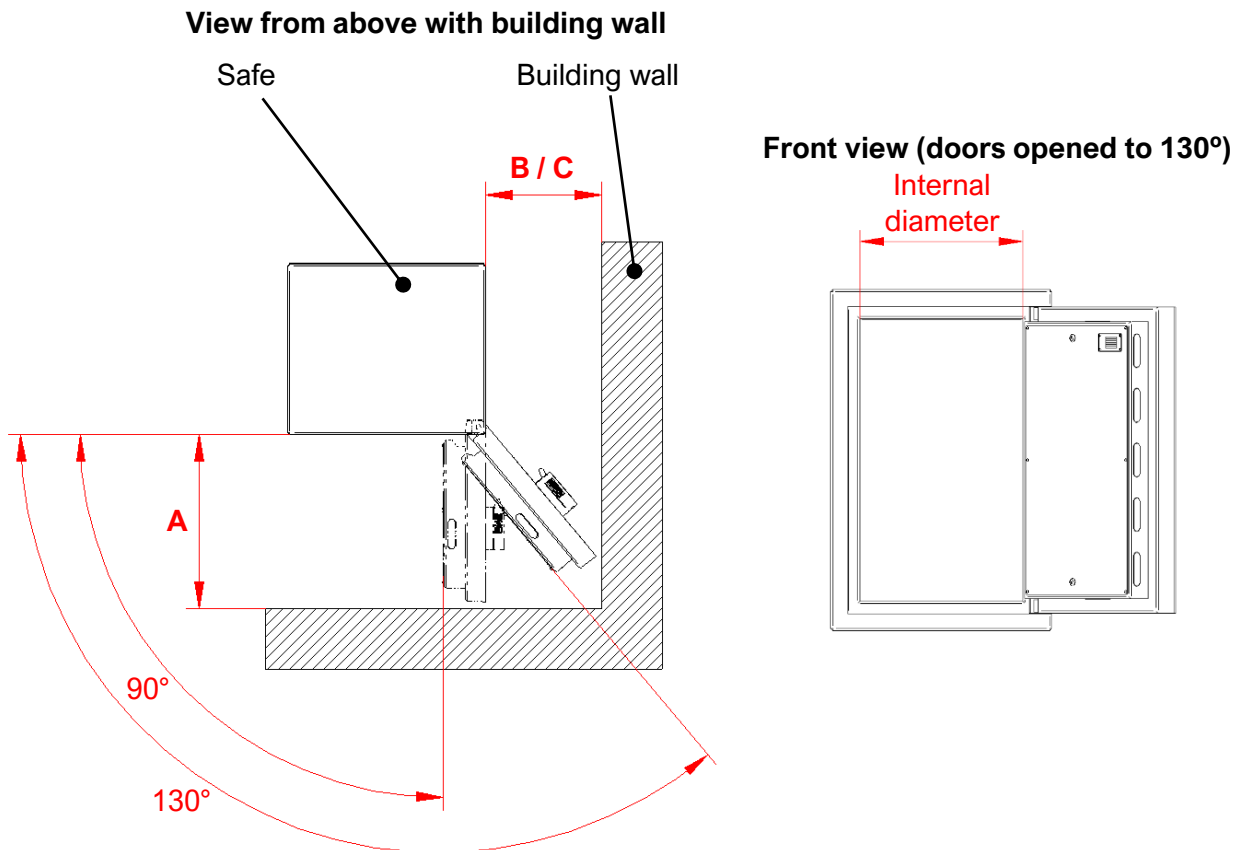
If the battery is inserted and the safe is locked when delivered, please follow the 500.0021/500.0022 instruction manual.

2. Installation

2.1. Positioning against the building wall

When positioning the safe, please observe the minimum distance (A) from the wall in order to be able to open the door more than 90°. If you want to be able to use the safe's full internal diameter, you also need to observe the minimum distance (B) from the strip side to the wall so that the door can be opened to 130°. If the door needs to be opened 180°, observe the minimum distance (C) from the strip side.

You can find the minimum distances to observe for your model in the table below.



Model	A for 90° (mm)	B for 130° (mm)	C for 180° (mm)
550	430	300	430
650	430	300	430
801	430	300	430
802	550	380	550
1000	550	380	550
1200	550	380	550
1200	550	380	550
1450	650	430	650
1650	650	430	650
1200-XL	820	550	820
1450-XL	820	550	820
1850-XL	820	550	820
1850-XXL	1100	720	1100

2.2. Disassembly, interior construction

To correctly anchor the safe (Section 2.3), its complete chrome-steel interior construction (lid, side walls, base, and rear wall) have to be completely disassembled. It is important to remove the individual metal plates with care so as to avoid scratching them.



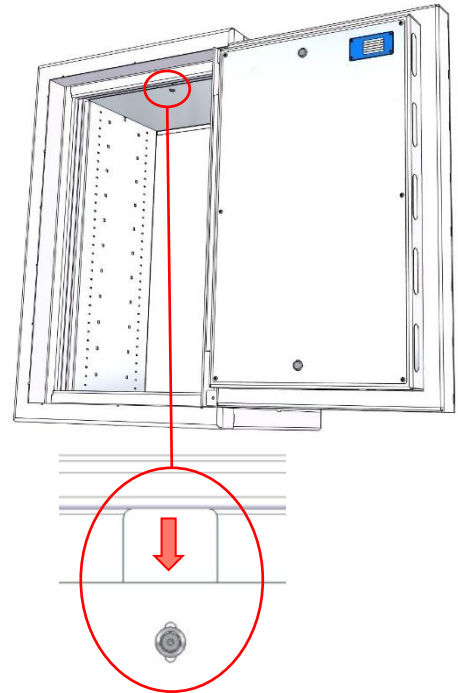
PLEASE NOTE: The following procedure describes how to dismantle the interior of a WALDIS Business safe. If you have a WALDIS Eco safe, you can follow the same procedure and neglect the rear wall and the lid!

Follow this procedure to disassemble the safe:

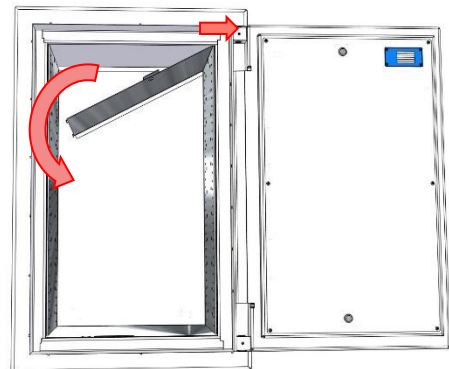


CAUTION: CUTTING DANGER ON THE METAL SHEETS!

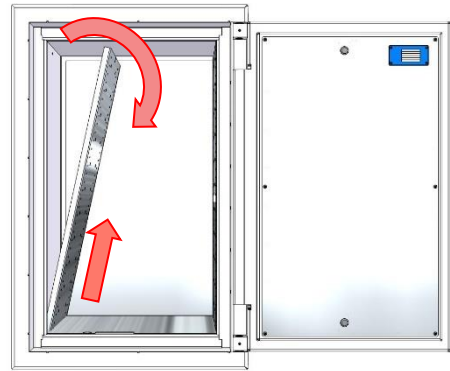
1. Open the safe as per the 500.0021/ 500.0022 instruction manual.
2. Pivot the doors as much as possible (ideally 180°).
3. Release the countersunk screw in the lid (3mm Allen key) and push the clamping plate backwards. Then, tighten the countersunk screw again so that the clamping plate cannot slide forward any more.



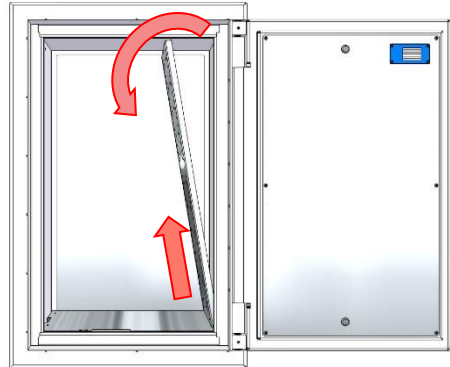
4. Raise the lid slightly and push it to the right until the tabs of the lid can be swivelled past the left-hand side wall. Once the lid has been swivelled approx. 45°, the tabs can be unhooked on the right-hand side wall, and the lid can be pulled out of the safe diagonally.



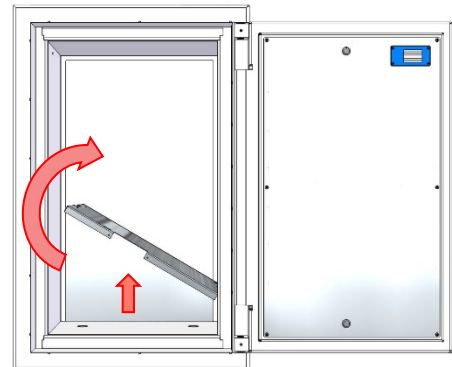
5. Completely unscrew the cylinder-head screw located at the top-centre of the side wall (4mm Allen key), holding the side wall in place with your hand to prevent it from tipping over. Then, allow the side wall to tilt inwards and pull it out of the plug connection in the base. As soon as the side wall is separated from the base, it can be pulled out of the safe diagonally.



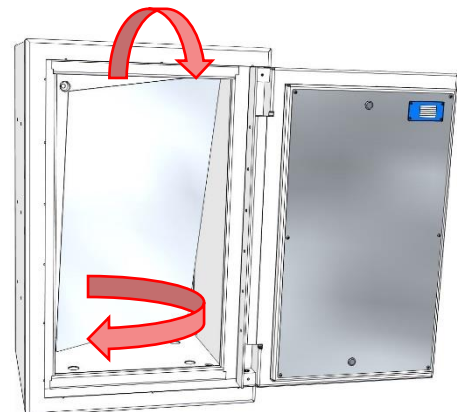
6. Repeat Step 5 for the right-hand side wall.



7. Lift the base slightly and then pull it out of the safe diagonally. **Make sure to hold the rear wall in place with your hand!**



8. Allow the rear wall to tilt forwards from the top and then turn it diagonally forwards onto one side. Then, carefully lift the rear wall and pull it out of the safe.



9. Set the disassembled interior construction to one side so that it does not get in the way of anchoring the safe and cannot be damaged.

2.3. Anchoring the safe



PLEASE NOTE: Assembly and anchoring may only be carried out by WALDIS Tresore AG's trained staff or by authorised specialists! WALDIS Tresore AG accepts no liability for damage to people or property in case of incorrect assembly and anchoring.

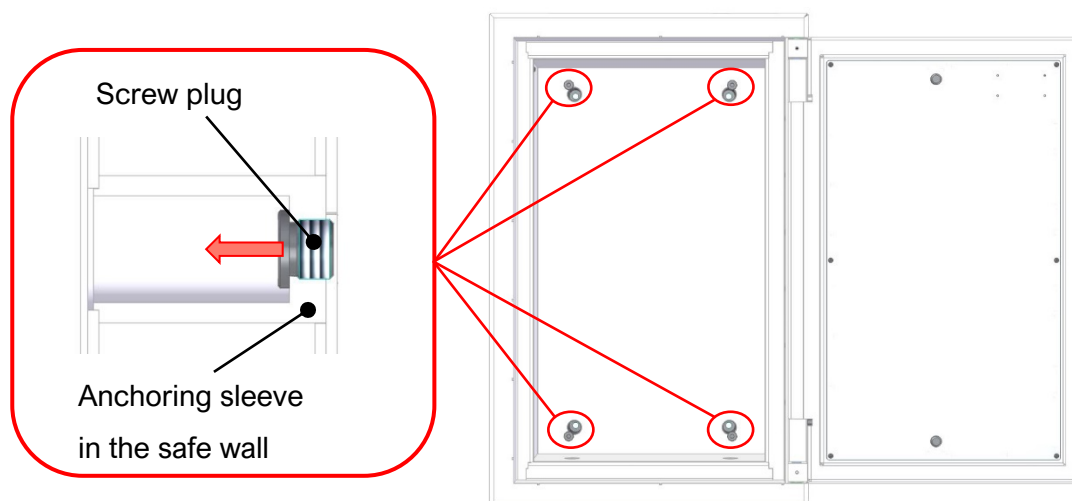
2.3.1. Important prior clarification

Check that the building floor and building wall are suitable for installing the safe and that there are no wires, pipes or similar in the area to be drilled!

In case of doubt, an expert report should be issued to guarantee that the intended assembly location in the building can withstand the weight of the safe, including its contents.

2.3.2. Preparing the safe

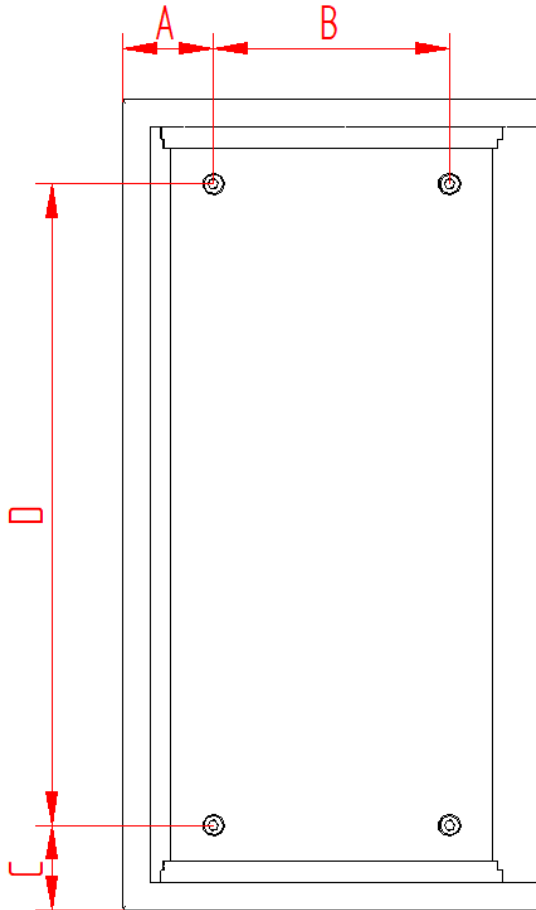
The four screw plugs (8mm Allen key) must be removed from the interior of the safe before anchoring it through the rear wall or the base.



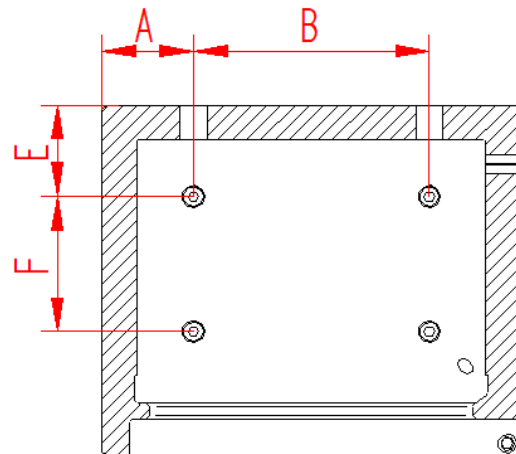
2.3.3. Table for dimensions, anchoring holes

In order to drive the supplied drop-in anchor into the building wall or building floor at the assembly location in advance, please consult the following table of measurements for drilling patterns for all WALDIS First and Premium models.

**Front view (without doors)
for rear-wall anchoring**



**Cross-section view from above
(without doors) for base anchoring**



Model	A (mm)	B (mm)	C (mm)	D (mm)	E (mm)	F (mm)
550	125	250	125	300	129	200
650	125	250	125	400	129	200
801	125	250	125	550	129	200
802	135	350	125	550	138.5	200
1000	135	350	125	750	138.5	200
1200	135	350	125	950	138.5	200
1450	135	450	125	1200	158.5	300
1650	135	450	125	1400	158.5	300
1200-XL	170	550	125	950	148.5	350
1450-XL	170	550	125	1200	148.5	350
1850-XL	170	550	125	1600	148.5	350
1850-XXL	197.5	750	125	1600	148.5	350

2.3.4. Procedure

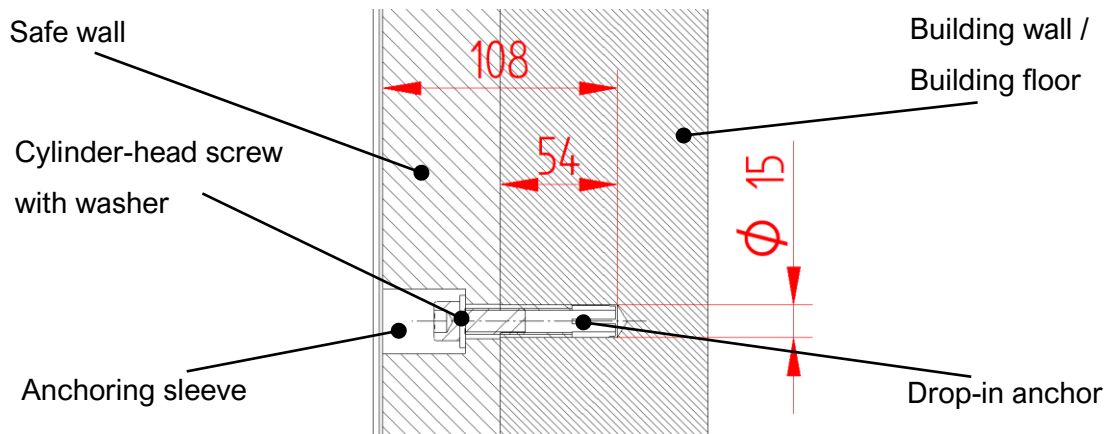
The safe is delivered with 4x cylinder screws with an M12x30 internal hex (DIN 912, strength grade 8.8), 4x M12 washers (DIN 125 A) and 4x M12x50 drop-in anchors.



If it is not possible to use the installation material specified or it is not possible to anchor the safe, please consult your property insurance provider to find an alternative anchoring solution.

Follow this procedure to anchor the safe into the building wall or floor:

1. Draw the drilling pattern on the desired position and then drill the anchoring holes with $\text{Ø}15$ concrete drill and an impact drill.
 - ➔ The $\text{Ø}15$ drill hole must be at least 54 mm (from the wall/floor) or at least 108 mm (from the safe's interior wall) deep.
2. The EA2 M12x50 drop-in anchor can be hammered in once all four anchoring holes have been drilled.
 - ➔ Please consult the manufacturer's information sheet for hammering in the Fischer EA2 M12x50 drop-in anchor (Fischer no.: 48406).
3. Align the safe with the installation holes in the building wall or the building floor.
4. If the safe is to be anchored to the building wall, it has to be evenly hammered into the wall evenly.
5. Level out the safe so that the door stands still in any position and does not start to swing in one direction (open or closed) on its own.
 - ➔ To do this, place small hardboards (Pavatex) under the corners required.
6. Attach a washer to each of the cylinder screws and screw them through the anchoring sleeve into the drop-in anchor (10mm Allen key) until they line up.
7. Tighten the cylinder screws to 35 Nm (10mm Allen key), and then tighten them again to 35 Nm in the same order to be sure.



If the installation material supplied cannot be used owing to the quality of the floor or wall, installation has to be adapted to the actual conditions. The dowel used must match the type of quality of the building material to be anchored into (minimum requirements for threaded rods, screws and dowels M12: Strength grade 8.8, DIN 975 with ISO 7089 discs). Please observe the manufacturer's instructions.

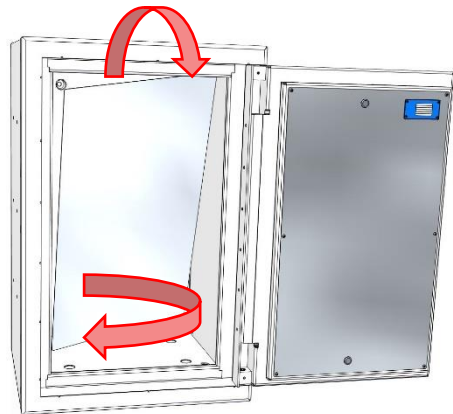
2.4. Assembly, interior construction

After anchoring the safe, its chrome-steel interior construction (lid, side walls, base, and rear wall) has to be completely assembled again. It is important to assemble the individual metal plates with care so as to avoid scratching them.

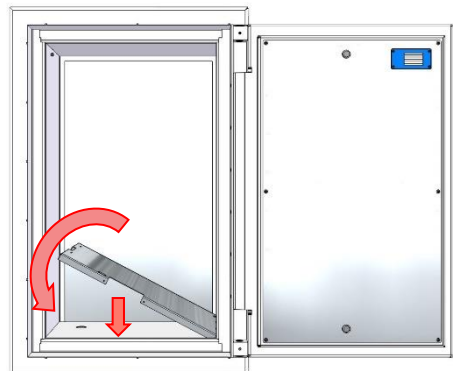


PLEASE NOTE: The following procedure describes how to assemble the interior of a WALDIS Business safe. If you have a WALDIS Eco safe, you can follow the same procedure and neglect the rear wall and the lid!

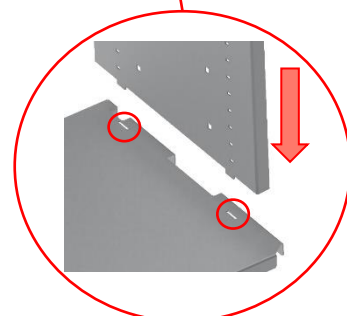
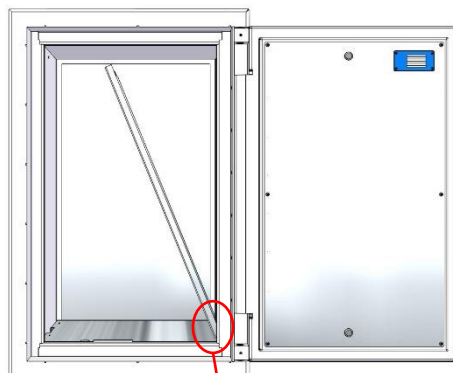
1. Allow the rear wall to tilt forwards from the top and then turn it diagonally onto one side. Then, lift the rear wall and carefully push it into the safe. Push the rear wall evenly backwards towards the interior rear wall of the safe.



2. Push the base into the safe diagonally and carefully set it down on the interior floor while holding back the rear wall.
Caution: Make sure that no wires get caught when setting the base down!

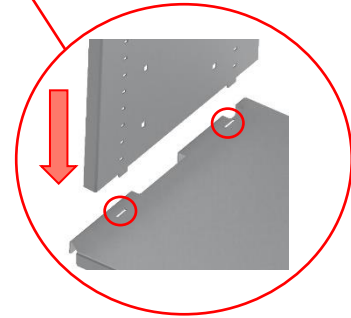
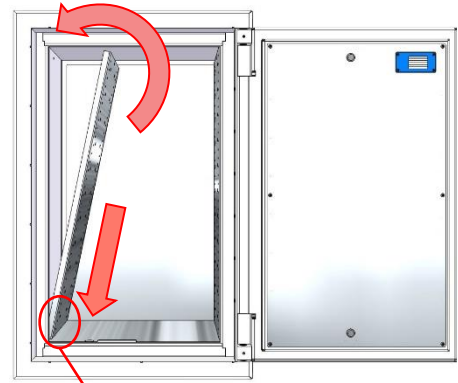


3. Guide the right-hand side wall into the safe diagonally and plug it into the plug connection in the base. As soon as the side wall is plugged into the base, it can be stood upright on the right-hand side and screwed in (4mm Allen key) at the centre of the safe using the cylinder screw.
Caution: Only screw in lightly!

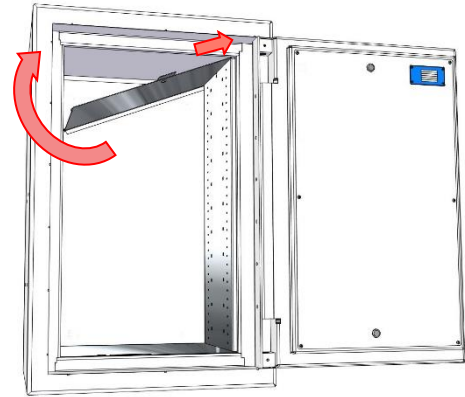


4. Guide the left-hand side wall into the safe diagonally and plug it into the plug connection in the base. As soon as the side wall is plugged into the base, it can be stood upright on the left-hand side and screwed in (4mm Allen key) at the centre of the safe using the cylinder screw.

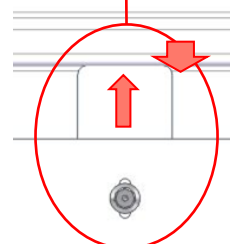
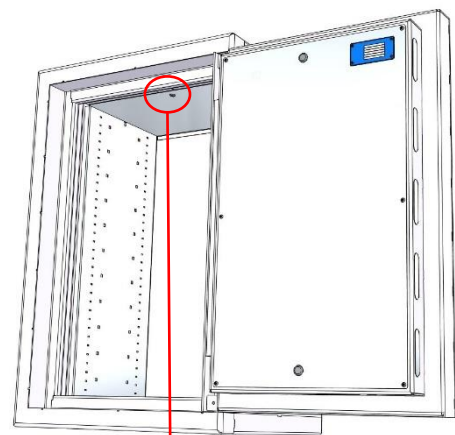
Caution: Only screw in lightly!



5. Guide the lid into the safe at an approx. 45° angle. Clip the tabs of the lid onto the top of the right-hand side wall and slowly pivot the lid upwards. Push the lid slightly to the right while doing this so that it does not align to the left-hand side wall when swivelled up. As soon as the left-hand tabs of the lid have been swivelled past the left-hand side wall, the lid can be pushed slightly to the left, and the tabs can be clipped onto the left-hand side wall.

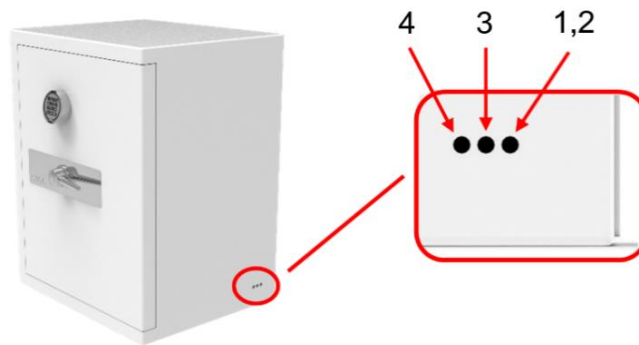


6. Once the lid is laid on both side walls, it can be pushed backwards against the rear wall. Pull the clamping plate forwards and secure over the countersunk screw (3mm Allen key) at the same time.



2.5. Cable entry / power connection

As standard, each safe is equipped with three cable entry openings. These are located on the right-hand side, in the lower rear area of the safe. If none of the options listed below have been ordered, they are closed.



1. Mains connection Paxos Advance / Axessor
230V plug-in power supply with approx. 5m cable length.



2. Alarm preparation
Alarm control cable 12x 0.14mm² with approx. 5m cable length.



3. LED illumination
Connection for LED power supply 230V with hollow plug



up to size WA-1200
Dimensions (HxWxD) 48x32x76mm



from size WA-1450
Dimensions (HxWxD) 32x50x125mm

4. Power cable pull-in
The power cable for additional interior fittings is "just pulled" into the safe. The supplied plugs T12 & T13 must be connected by an electrician.



To ensure that no cable breakage or other damage occurs to the cable or the power supply unit, a lateral distance of at least 5-10cm from the nearest object, furniture, wall, etc. must be planned.

3. Maintenance and care instructions

Your safe is essentially maintenance-free. However, we still recommend carrying out a lubricating and servicing interval as follows, depending on frequency of use but at least every 12 months:

- Lightly oil the hinges using penetrating oil (e.g. Brunox Turbo Spray).
- Open the door and extend the bolt using the handle, then grease lightly using a multi-purpose grease (e.g. Motorex 176 GP).
- The chrome-steel interior construction can be cleaned using a standard chrome-steel cleaner (e.g. Dr. Weigert neoblank spray).
- The varnished surfaces can be wiped down with a damp cloth.



WARNING: Do not clean with household chemical products!

Should any mechanical problems or electrical issues occur, please consult your trusted specialist dealer or contact WALDIS Tresore AG directly.

4. Exemption from liability

The above guarantee and the theft guarantee include a final provision with regard to the delivery of the item purchased. Any further liability is completely excluded. As for services by WALDIS that are to be arranged separately, such as transportation, packaging, insurance, assembly and installation, WALDIS' liability is limited to damage caused by gross negligence or deliberate intent (Art. 100, Para. 1 OR). The customer also recognises WALDIS' right to use external companies to fulfil the additional services listed. In this case, WALDIS' liability is limited to selecting and instructing the external companies with care (Art. 399, Para. 2 OR).

5. Guarantee against theft

WALDIS provides a guarantee against theft from the secure storage unit for safes starting from resistance level 2 to cover the duration stated in the order confirmation, as per European standard EN 1143-1. In particularly vulnerable locations, WALDIS may limit this guarantee or make it subject to additional measures, e.g. an alarm system. In these cases, the alarm system has to have been functional and activated at the time the theft took place and the alarm has to have been triggered and relayed. Otherwise, the theft guarantee terminates immediately.

The guarantee against theft means that, in the event of theft of the secure storage box anchored by WALDIS at that location, WALDIS is obliged to replace the secure storage box concerned, but not to cover damages resulting from the theft, or additional costs such as transportation and assembly of the new secure storage box, or disassembly or disposal of the old secure storage box. The customer is not entitled to any kind of compensation or replacement of the contents of the secure storage box. The guarantee against theft only applies to theft at the location where the secure storage box was positioned and anchored at least four times in accordance with the current instruction manual either by WALDIS or an authorised partner company. If the secure storage box is not positioned, anchored or moved by WALDIS or an authorised partner company, the theft guarantee terminates immediately.

The safe's warranty and certification terminate after attempted break-ins, fires and authorised interference with the structure.